

# MICRO SWITCH

A DIVISION OF MILWAUKEE-HONEYWELL REGULATOR COMPANY  
MILWAUKEE, WISCONSIN

FED. MFR. CODE 91929

## PACKET

CATALOG LISTING

★ 3PA1

S

(M) 3PA1

ISSUE 3

REPLACES

RELEASE NO.

3PA1

M

DRAWING NUMBER

ISSUE

7

CHECK

REVISIONS

A C.O. 8520

K.A.F. 8 MAY 57

B C017271

L.E.B. 12 SEPT 63

C C054735

TSK 25 NOV 85

D C073014

G.J.W. 29 JUL 92

CHECK

CHECK

CHECK

CHECK

CHECK

CHECK

CHECK

CHECK

CHECK

CHECK

CHECK

CHECK

CHECK

CHECK

CHECK

CHECK

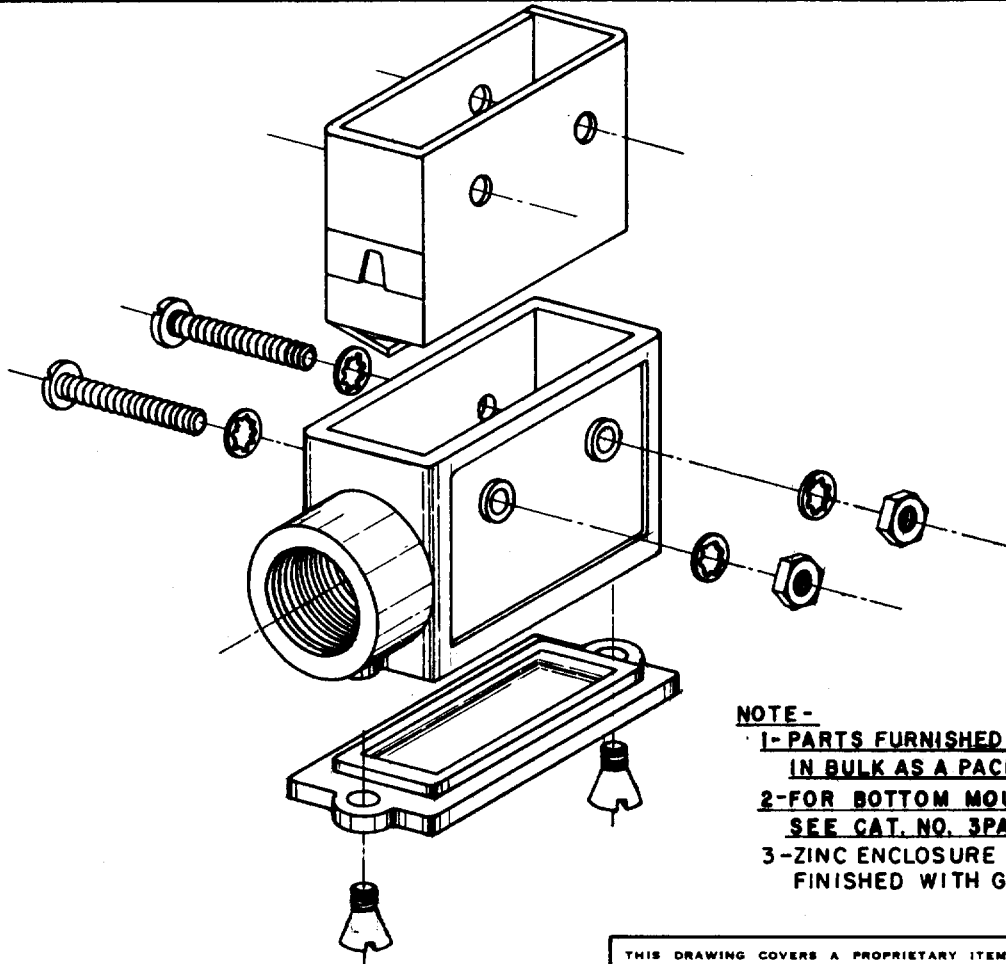
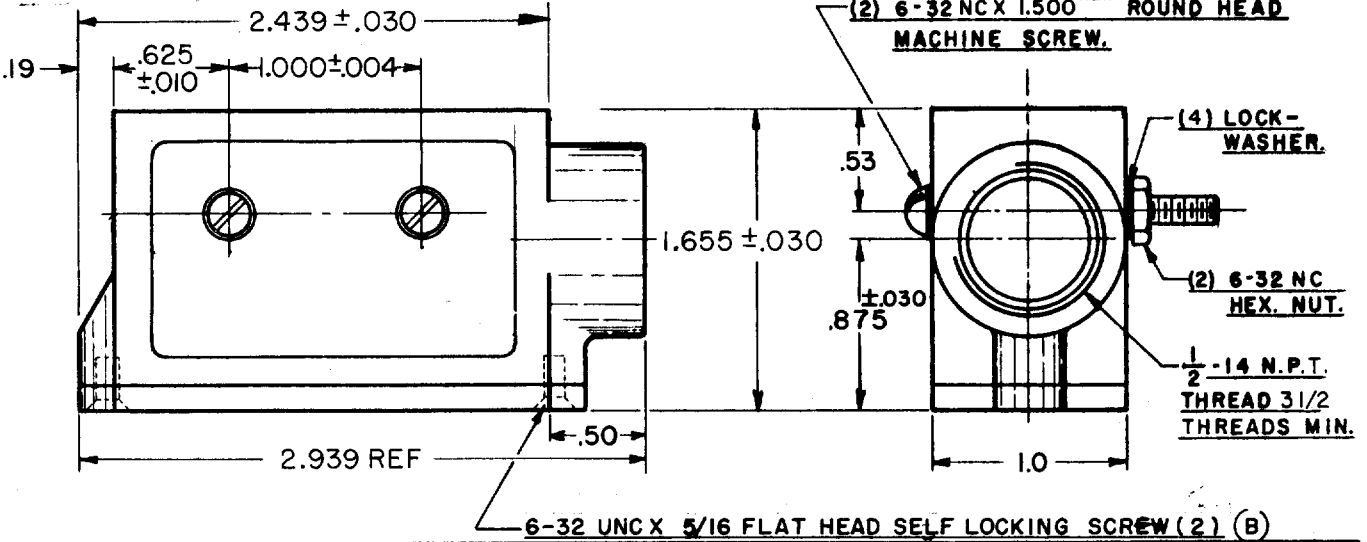
CHECK

CHECK

CHECK

CHECK

CHECK



**NOTE -**  
 1-PARTS FURNISHED UNASSEMBLED  
 IN BULK AS A PACKET.  
 2-FOR BOTTOM MOUNTING UNIT  
 SEE CAT. NO. 3PA2.  
 3-ZINC ENCLOSURE  
 FINISHED WITH GRAY PAINT

THIS DRAWING COVERS A PROPRIETARY ITEM AND IS THE PROPERTY OF MICRO SWITCH, A DIVISION OF HONEYWELL. THIS DRAWING IS NOT TO BE COPIED OR USED WITHOUT THE APPROVAL OF MICRO SWITCH.

### CHARACTERISTICS

### ELECTRICAL DATA

### SCALE - FULL

CONTACT ARRANGEMENT

DO NOT SCALE PRINT

UNLESS OTHERWISE SPECIFIED DIMENSIONS ARE IN INCHES  
**TOLERANCES ARE:**

ONE PLACE (.0)  $\pm .030$   
 TWO PLACE (.00)  $\pm .015$   
 THREE PLACE (.000)  $\pm .005$   
 ANGLES  $\pm$

WEIGHT

DRAWN

K.A.F. 8 MAY 57

FO-80378